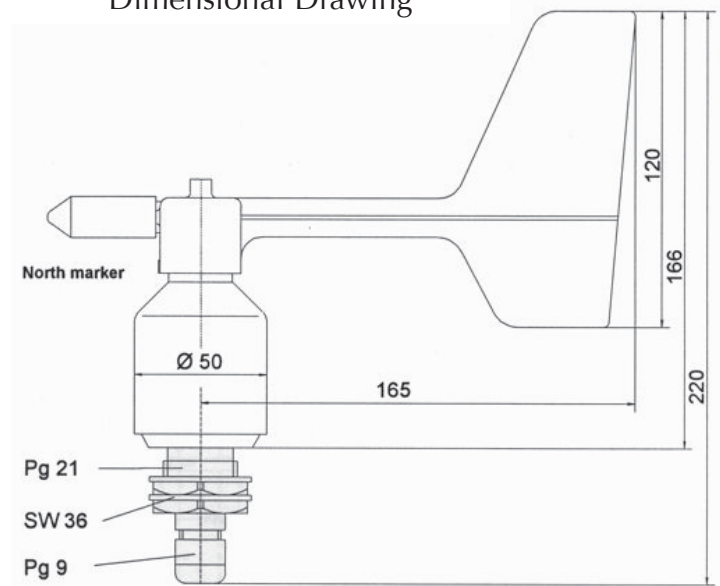


RWIND

Winddirection Sensor



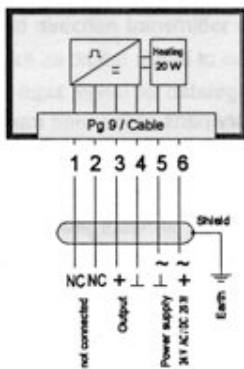
Dimensional Drawing



Resolution	: 11,25°	5 bit Gray code
Electr. Output		
Ord.-No. 4.3129.00.040	: 0 - 20 mA	Load max. 500Ω (> 13 V DC Operating voltage)
4.3129.00.041	: 4 - 20 mA	Load max. 500Ω (> 13 V DC Operating voltage)
4.3129.00.061	: 0 - 10 V	Load resistance min. 1 kΩ
4.3129.00.067	: 0 - 2 V	Load resistance min. 1 kΩ
4.3129.00.073	: 0 - 5 V	Load resistance min. 1 kΩ
Operating voltage	: 9 - 18 V DC or 24 V AC/DC	(13 - 18 V DC for 0 - 10 V Output) see connecting diagrams
Current input	: approx. 10 mA	
Supply cable	: LIYCY 6 x 0,25 mm ² , 12 m long	
Weight	: 1,10 kg	

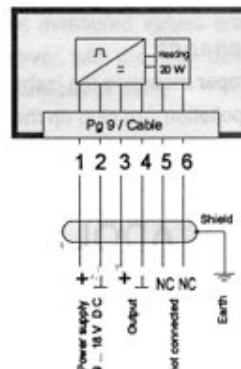


Operation with Heating



In case of power supply for heating at pin 5 and 6, power supply voltage **must be galvanic separated** from signal voltage (pin 3 and 4).

Operation without Heating



INGENIEURBÜRO
Mencke & Tegtmeier

Hohe Linden 8F
D-31789 Hameln
Tel: +49 51 51/40 36 99-0
Fax: +49 51 51/40 36 99-19
email: info@ib-mut.de
http://www.ib-mut.de

Banking Account:
Sparkasse Hameln
(BLZ 254 500 01)
Kto.-Nr. 10 00 38 38
USt-IdNr. DE160212135