

VWIND

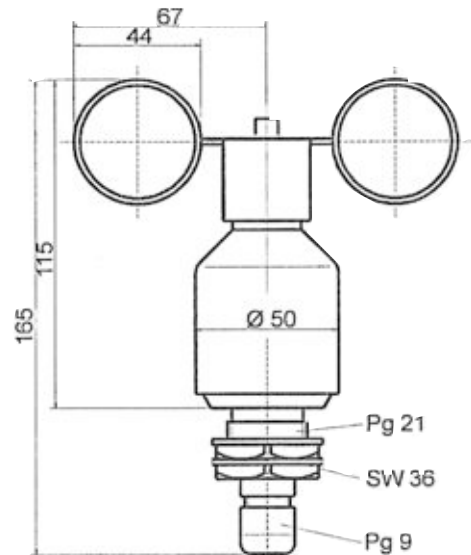
Windspeed Sensor



Technical Data

General

Measuring Range	0,5 50 m/s
Meas. Accuracy	± 3% of measuring value
Heating	24 V AC/DC max. 20 W
Ambient Temperature	30 °C + 70 °C
Mounting	onto masttube (boring thread Pg 21) or onto traverse, boring \varnothing 29 mm

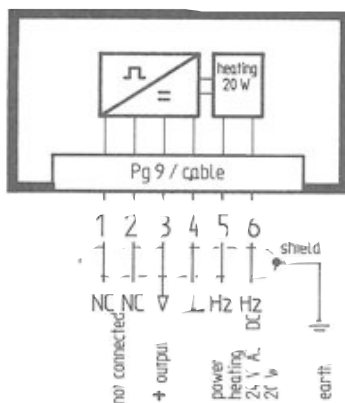


Dimensional Drawing

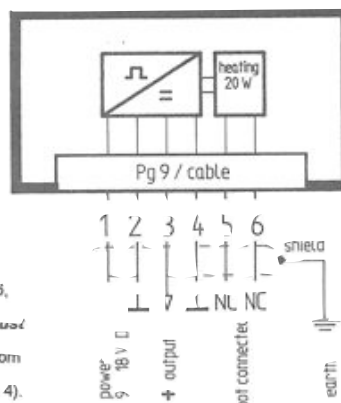
Resolution	< 0,1 m/s
Electr. Output	
Ord. No. 4.3519.00.040	0 20 mA Load max. 500 Ω (> 13 V DC Operating voltage)
4.3519.00.041	4 20 mA Load max. 500 Ω (> 13 V DC Operating voltage)
4.3519.00.061	0 10 V Load resistance min. 1 k Ω
4.3519.00.067	0 2 V Load resistance min. 1 k Ω
4.3519.00.073	0 5 V Load resistance min. 1 k Ω
Operating voltage	9 18 V DC or 24 V AC/DC (13 8 V DC for 0 10 V Output) see Connecting diagrams
Current Input	approx. 10 mA
Scanning	Light barrier slotted disc
Supply cable	LiYCY 6 x 0,25 mm ² 12 m long
Weight	: 0,75 kg



Operation with Heating



Operation without Heating



In case of power supply for heating at pin 5 and 6, power supply voltage must be galvanic separated from signal voltage (pin 3 and 4).

INGENIEURBÜRO
Mencke & Tegtmeier

Hohe Linden 8F
D-31789 Hameln
Tel: +49 51 51/40 36 99-0
Fax: +49 51 51/40 36 99-19
email: info@ib-mut.de
http://www.ib-mut.de

Banking Account:
Stadtparkasse Hameln
(BLZ 254 500 01)
Kto.-Nr. 10 00 38 38
USt-IdNr. DE160212135